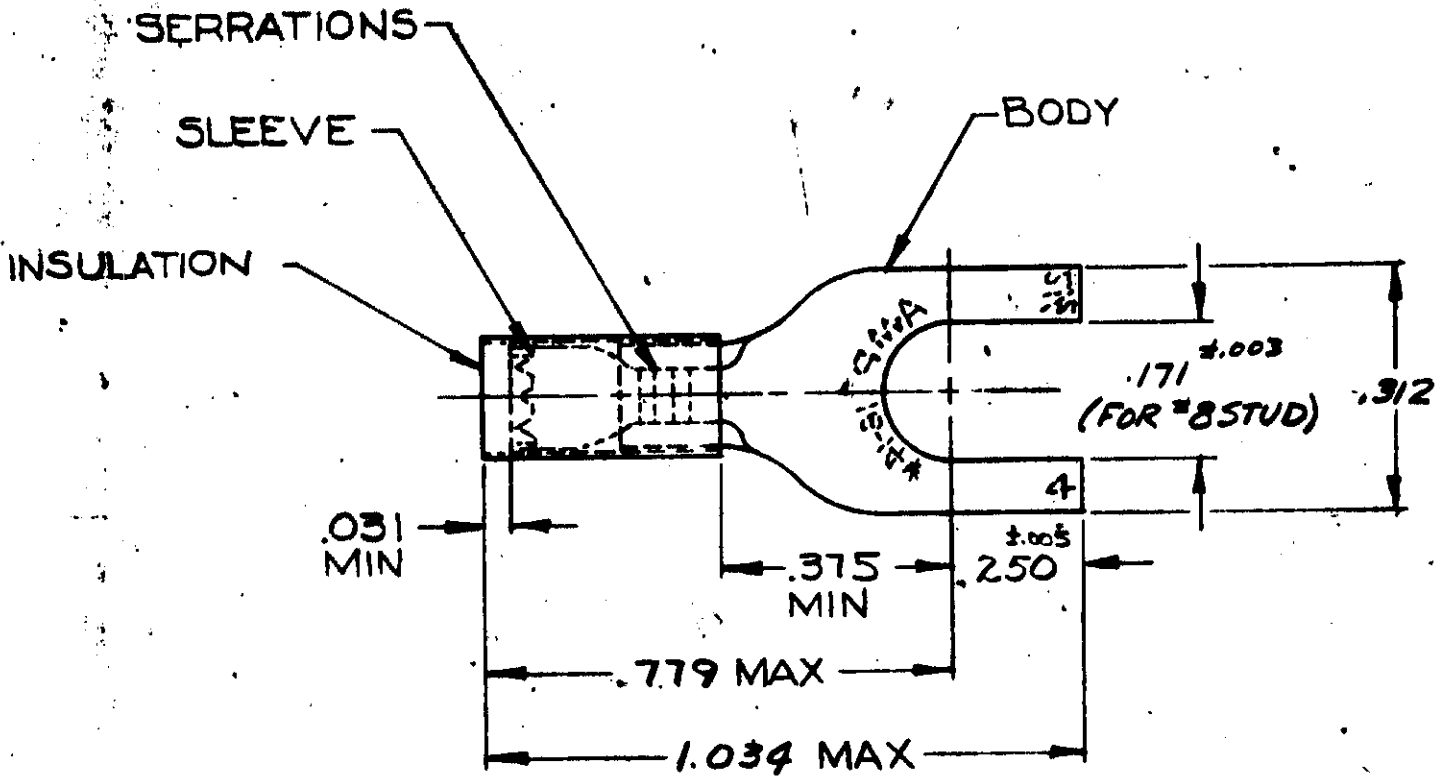


IN AMERICAN PROJECTION


6 147

© 1968 AMP INCORPORATED, ALL RIGHTS RESERVED. AMP PRODUCTS COVERED BY PATENTS AND/OR PATENTS PENDING.

| REVISIONS | | | |
|-----------|-------------------------|-------------|----------|
| LTR | DESCRIPTION | DATE | APPROVED |
| B | REDRAWN, REVISED P-6079 | JME 3-16-70 | FCY |
| C | REV PER 6-4732 | JT 7/26/88 | PLS |



TONGUE MATERIAL THK = .031 ±.002
FOR .115 TO .170 WIRE INSULATION DIA

| | | | |
|--|----------------------|----------------|---|
| 1 | WIRE TERMINAL | 325199 | BODY: COPPER (QQ-C-576) TIN PL (MIL-T-10727) |
| | | | SLEEVE: COPPER (QQ-C-576) INSULATION: NYLON COLOR: BLUE |
| QTY | DESCRIPTION | PART NO | MATERIAL & FINISH |
| UNLESS OTHERWISE SPECIFIED DIMENSIONS ARE IN INCHES TOLERANCES ON: DECIMALS ±.008 ANGLES ± 5° | CONTRACT NO. — | |  AMP INCORPORATED HARRISBURG, PENNSYLVANIA |
| | DR. JME | 3-13-70 | |
| | CHK. J.C. Youngblood | 3-16-70 | NAME |
| | APPD. J. Swabel | 3-16-70 | WIRE TERMINAL |
| | REL. J. Swabel | 3-17-70 | P.I.D.G. - SPADE |
| MATERIAL | SEE TABLE | SIZE | WIRE SIZE: 16-14 |
| OTHER APPD. | DSGN APPD. | CODE IDENT NO. | NUMBER |
| | | A 00779 | 325199 |
| | SCALE NTS | SHEET 1 OF 1 | |